

CTCSS ENCODE FOR KENWOOD TR-9130

- When the key is closed, the SIDE TONE circuit provides a tone of about 800Hz. Use this tone as a reference for receiver tuning.
- In reception, side tone can be monitored at any mode other than CW.

3.14 AUX TERMINAL

The AUX terminal can be used for connection with a linear amplifier. Use the supplied 4P plug.

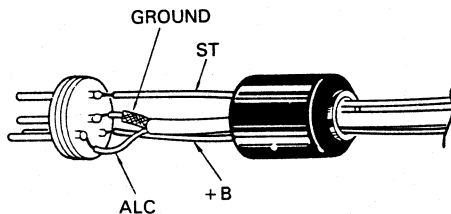
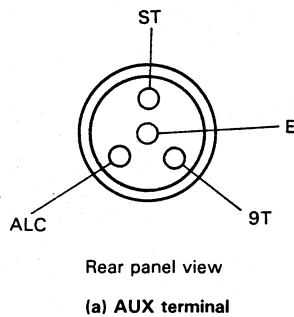
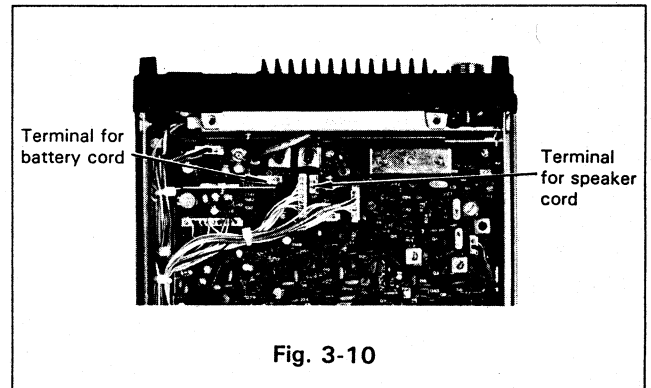
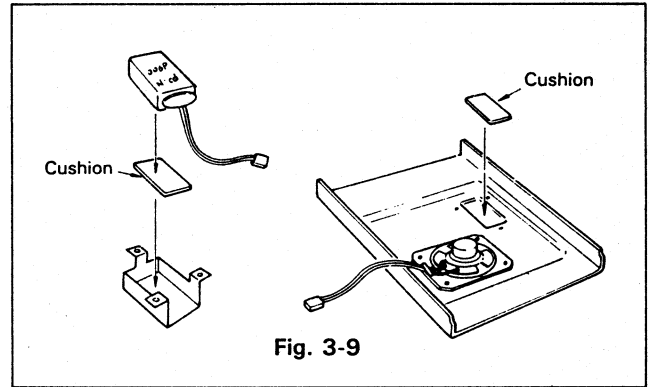


Fig. 3-8 Aux terminal connection

3-15 BATTERY INSTALLATION

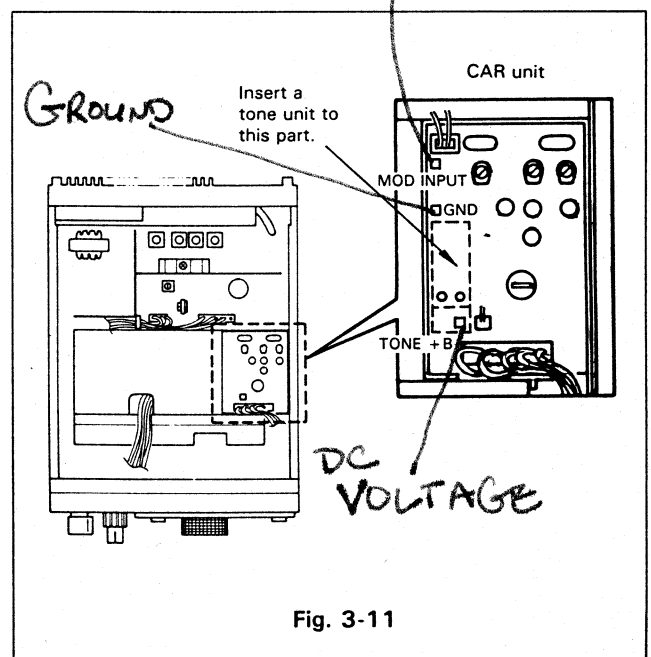
- Prepare a 9 V type Ni-Cd rechargeable battery (user supplied).
- Remove the bottom cover by 5 screws and pull the speaker lead off.
- Attach two cushions to the battery holder and the inside of the cover respectively.
(If the battery size is small, apply two cushions to the battery holder),
- Put the battery into the battery holder and secure the holder to the cover by 3 screws.
- Insert the speaker and the battery cord connector on the PC board.



3.16 TONE switch *

This switch provided to control a user supplied and installed tone encoder. TRIO-KENWOOD does not manufacture or supply this item.

To install, refer to Fig. 3-11.



* TONE SWITCH @ UPPER RIGHT TOP CORNER OF FACEPLATE WILL TURN ENCODER ON & OFF. 15